



# Spare Parts Catalog

MT-G 3090

Material number: 4469.022.004

Current date: 17.08.2016

ZF Friedrichshafen AG  
Hauptverwaltung  
80038 Friedrichshafen  
Deutschland

Telefon: +49 7541 77-0

Telefax: +49 7541 77-908000

[www.zf.com](http://www.zf.com)

zuständiges Werk:  
Passau

# Notes relating to the spare parts catalog

## Setup of the spare parts catalog

- Cover sheet
- Technical Cover (only in SDM print)
- Overview of figures
- Figure
- Associated parts list
- Next figure
- Associated parts list
- ...

## Figure and parts list



## Overview of figures

Bildtafel Figure	Sachnummer Product number	Benennung (Description)	Technische Info Technical info	Description (Benennung)	Menge Quantity	Einheit Unit
068.08.17	1316.170.001	AUSLEGER	WL	SHIFT TURRET	1	Stk
068.08.06	1316.170.031	DECKEL	WL*H-H *VM	COVER	1	Stk
068.08.14	1316.170.808	DECKEL	WL*AUSL+GEH*H-H*HF160N	COVER	1	Stk
08	1316.170.441	ANSCHLUSSTEILE	WL*NG-VORB*RG-SCHL*168N *BAJONETT	CONNECTING PARTS	1	Stk

The "gap" indicates that there is no separate graphics panel (poster) for this assembly  
The parts of this assembly are shown with the same mid-section number on the figure

### 1 Positions and subpositions

Pos.	Sachnummer Product number	Benennung (Description)	Technische Info Technical info	Description (Benennung)	Menge Quantity	Einheit Unit
0370	1315.201.054	RUECKLAUFBOLZEN	KPL.16S151*SG*L= 79	REV.IDLER SHAFT	1	Stk
/0120	0631.329.293	SPANNSTIFT		SLOT. PIN	1	Stk

Positions marked with "/" are the individual items of a completion  
For example: Position 0370 contains a centering pin with the position /0120

### 2 Combinations with standardized parts

Pos.	Sachnummer Product number	Benennung (Description)	Technische Info Technical info	Description (Benennung)	Menge Quantity	Einheit Unit
0630		VERSCHL.SCHR.		SCREW PLUG	1	Stk
	0636.302.067	VERSCHL.SCHR.		SCREW PLUG	1	Stk
	0634.801.249	DICHTRING	A 26 X 31	SEALING RING	1	Stk

The parts list shows the components included in the combination of standardized parts

### 3 Depiction of position/item number on the figure and in the parts list

01.620 - on the figure      01 relates to the assembly in which the position is included. Due to program-related reasons, it is shown on the figure.

0620 - in the parts list

Pos.	Sachnummer Product number	Benennung (Description)	Technische Info Technical info	Description (Benennung)	Menge Quantity	Einheit Unit
0620	0732.040.736	DRUCKFEDER		COMPRESSION SPRING	1	Stk

### 4 \*-Positions

Positions marked with an \* are optional i.e. inclusion in the parts list is not mandatory.  
The following note is shown on the figure

je nach Stücklistenausführung  
depending on spec. number  
\*  
suivant la nomenclature  
secondo la distinta base

### 5 Parts, dotted display

Parts with dotted display on the figure are only used for orientation of other parts

# Technical Cover

Page 1 from 2

Material number: 4469.022.004



MT-G 3090 /

Pos.	Information	Amendment number
	KUNDE:VOLVO	
	IDENT.-NR.: 15408 365	
	APPROVAL: .....	
	QUESTIONNAIRE:	
	PROJEKT-NR.:	
	VEHICLE DATA:	
	G970/ G976/ G990	
	ENGINE:	
	GEAR: .....	
	TYRES: SINGLE	
	TIRES:	
	R.STAT.0,665 M	
	MAX.SPEED: 50,0 KM/H	
	PRODUCT DESCRIPTION:	
	AXLE ARRANGEMENT: REAR AXLE	
	UEBERSETZUNG GES:I= 15.198	
	UEBERSETZUNG GES: I=17,26 INCL. KETTENKASTEN	
	PLANETENTRIEB: I= 6,00 P4-315-75	
	KEGELTRIEB: I= 2,533 Z=38/15	
	BEFESTIGUNG: FEDERSPUR L= 950	
	FLANSCHMASS: L=1250	
	BRAKE:	
	LAM.BR.: HYDR: 236X158	
	FESTSTELLBREMSE: JA LUEFTDRUCK 16-20 BAR	
	LINING: 7	
	BREAKE CALCUL.:	
	DIFF.CARRIER:	
	TYPE: DKV	
	SENS OF ROTATION:CLOCKWISE	
	RING GEAR: SPIRAL DIRECTION RIGHT	
	POSITION OF RING GEAR:RIGHT	
	FLANGE POSITION CONNE-PILLEY-DRIVE: CENTER	
	FLANGE CONN: MECH.8C	

# Technical Cover

Page 2 from 2

Material number: 4469.022.004



MT-G 3090 /

Pos.	Information	Amendment number
	DIFFERENTIAL:	
	TYP/GROESSE: DHL-D 1600	
	ACHSKEGELRADPROF:N50X1,25	
	DRAWINGS:	
	SCHNITT: 4469 022 003(0)	
	EINBAU: 4469 622 001(0)	
	PRUEFANWEISUNG: 4469 760 001	
	INSTALLATION INSTRUCTION: 4472 700 021	
	ASSEMBLY INSTRUCTION:	
	OIL CAPACITY:	
	AXLE: APPROX:.....L	
	PLANETARY DRIVE/JE:CA.....L	
	TOTAL: CA. 23,00L	
	OIL FILLING: YES	
	OIL SPECIFICATION: TE ML 05	
	BRAKE CONTROL: ATF-OIL/MOTOROIL 10 W	
	WEIGHT: 770KG	
	COLOR: OXIDROT RAL 3009	
	MISCELLANEOUS/REMARKS:	
	TYPENSCHILDANGABEN:	
	PART-NO: 15406041	
	TYPE: APR - 90A	
	NO.: 4469 022 002	

# Assembly group overview

Page 1 from 1

Material number: 4469.022.004



MT-G 3090 /

Graphics	Pos.	Material number	Name	Quantity	Amend. no.	Techn. Info.
446911600200	10	4469.116.002	INPUT	1		
446911640100	20	4469.116.401	INPUT	1		
448101601800	30	4481.016.018	LIMIT.SLIP DIFF	1		
446911700500	70	4469.117.005	AXLE CASING	1		
446911740100	80	4469.117.401	AXLE CASING	1		
446911900700	130	4469.119.007	OUTPUT	1		
446911940800	140	4469.119.408	OUTPUT	1		
446912100200	150	4469.121.002	MULTIDISK BRAKE	1		
448129800500	KIT	4481.298.005	CONVERSION KIT	1		

# Plant

Page 1 from 1

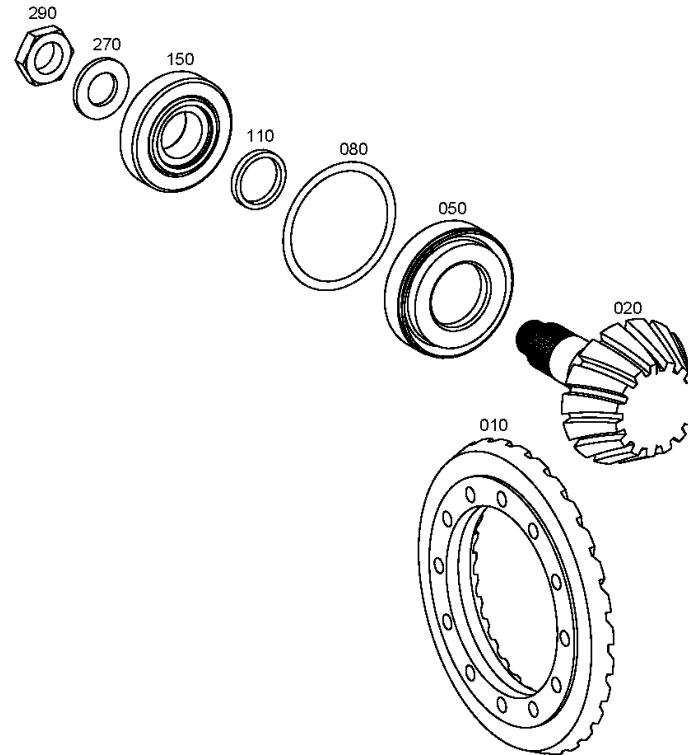
Material number: 4469.022.004

Plant: 446911600200

Material-assembly-group-no: 4469.116.002



MT-G 3090 /  
INPUT



# Plant

Page 1 from 1

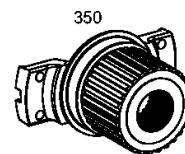
Material number: 4469.022.004

Plant: 446911640100

Material-assembly-group-no: 4469.116.401



MT-G 3090 /  
INPUT



# Plant

Page 1 from 1

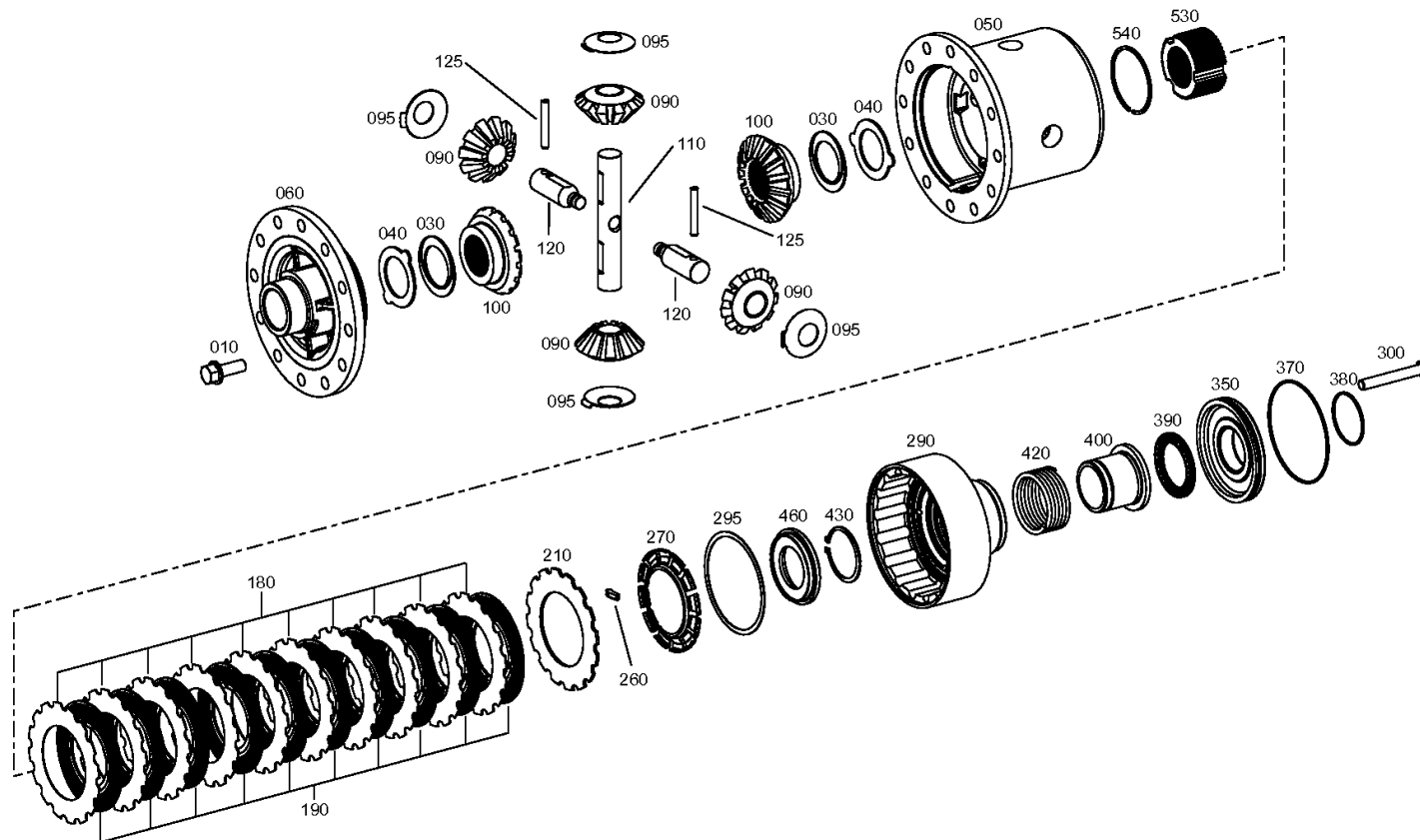
Material number: 4469.022.004

Plant: 448101601800

Material-assembly-group-no: 4481.016.018



MT-G 3090 /  
LIMIT.SLIP DIFF





# Plant

Page 1 from 1

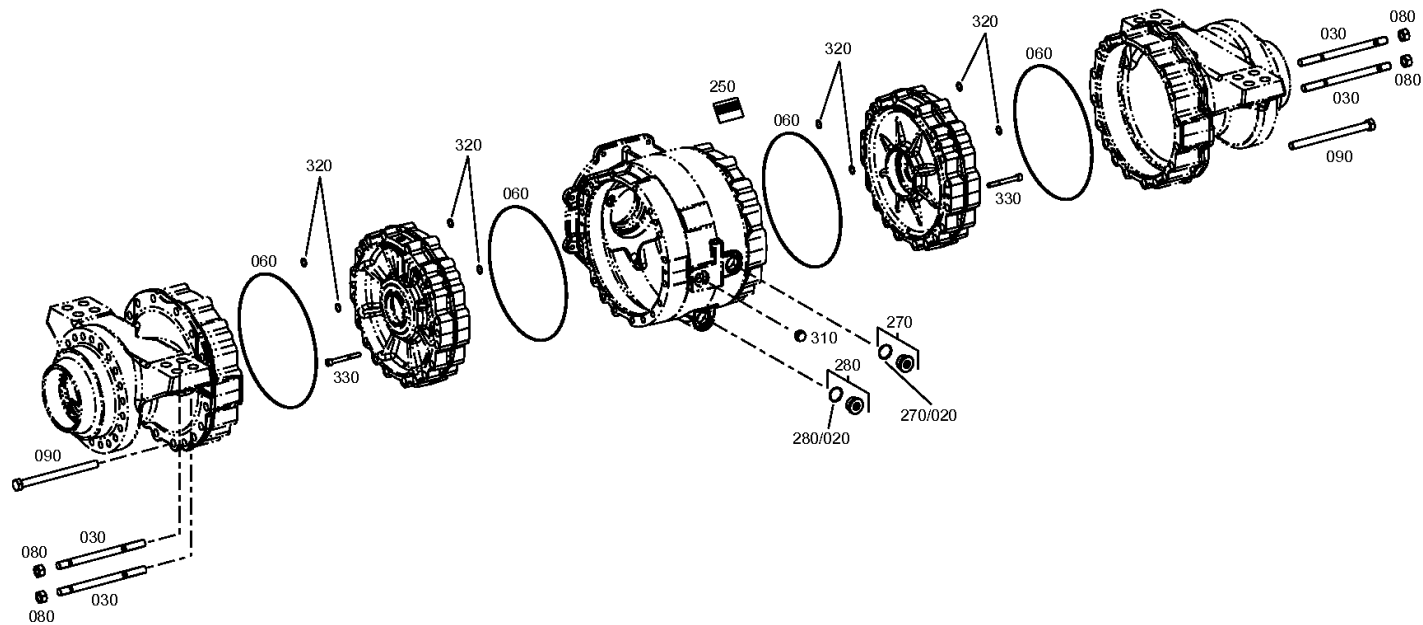
Material number: 4469.022.004

Plant: 446911700500

Material-assembly-group-no: 4469.117.005



MT-G 3090 /  
AXLE CASING



# Plant

Page 1 from 1

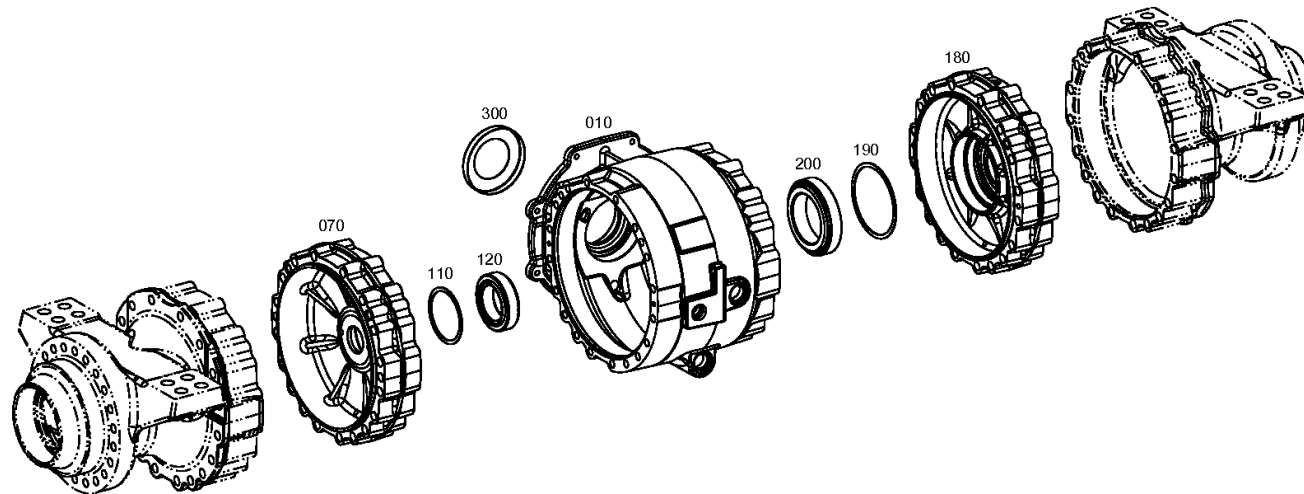
Material number: 4469.022.004

Plant: 446911740100

Material-assembly-group-no: 4469.117.401



MT-G 3090 /  
AXLE CASING



# Plant

Page 1 from 1

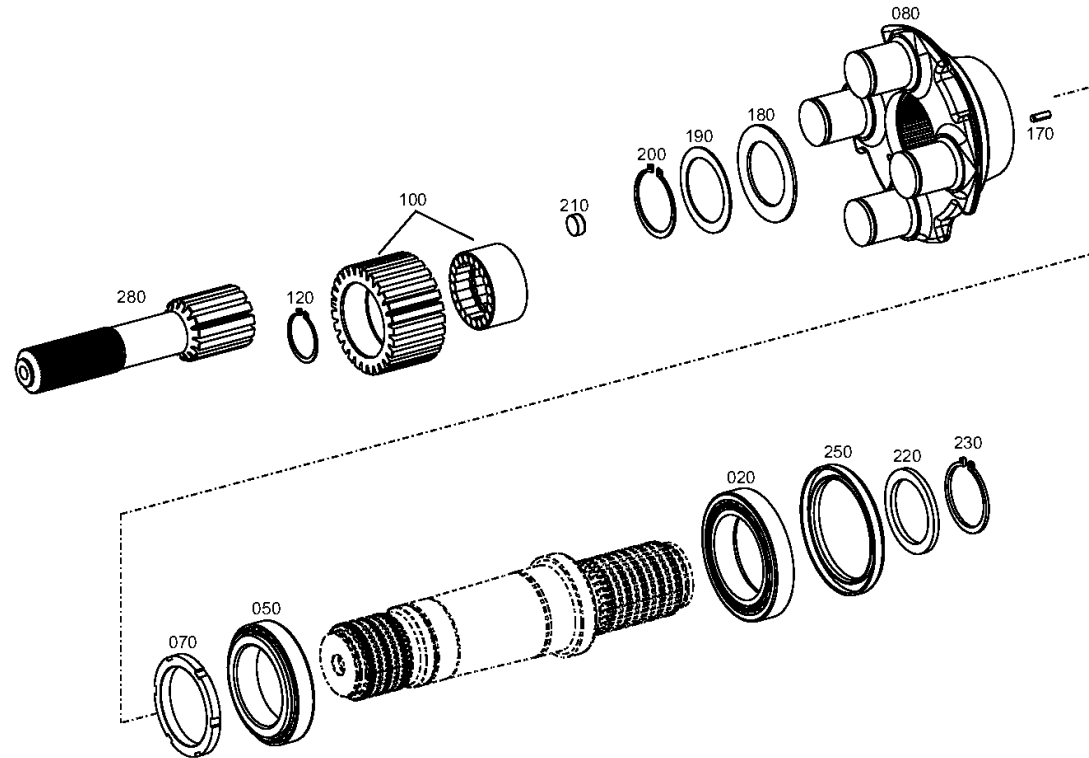
Material number: 4469.022.004

Plant: 446911900700

Material-assembly-group-no: 4469.119.007



MT-G 3090 /  
OUTPUT



# Plant

Page 1 from 1

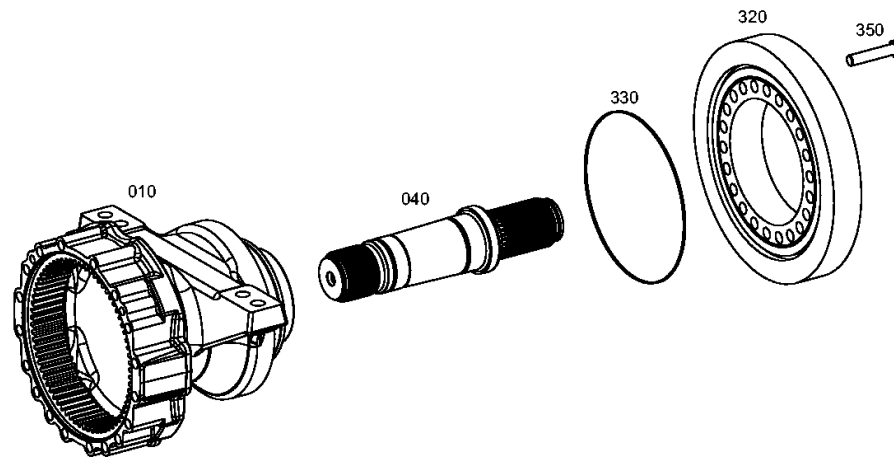
Material number: 4469.022.004

Plant: 446911940800

Material-assembly-group-no: 4469.119.408



MT-G 3090 /  
OUTPUT



# Plant

Page 1 from 1

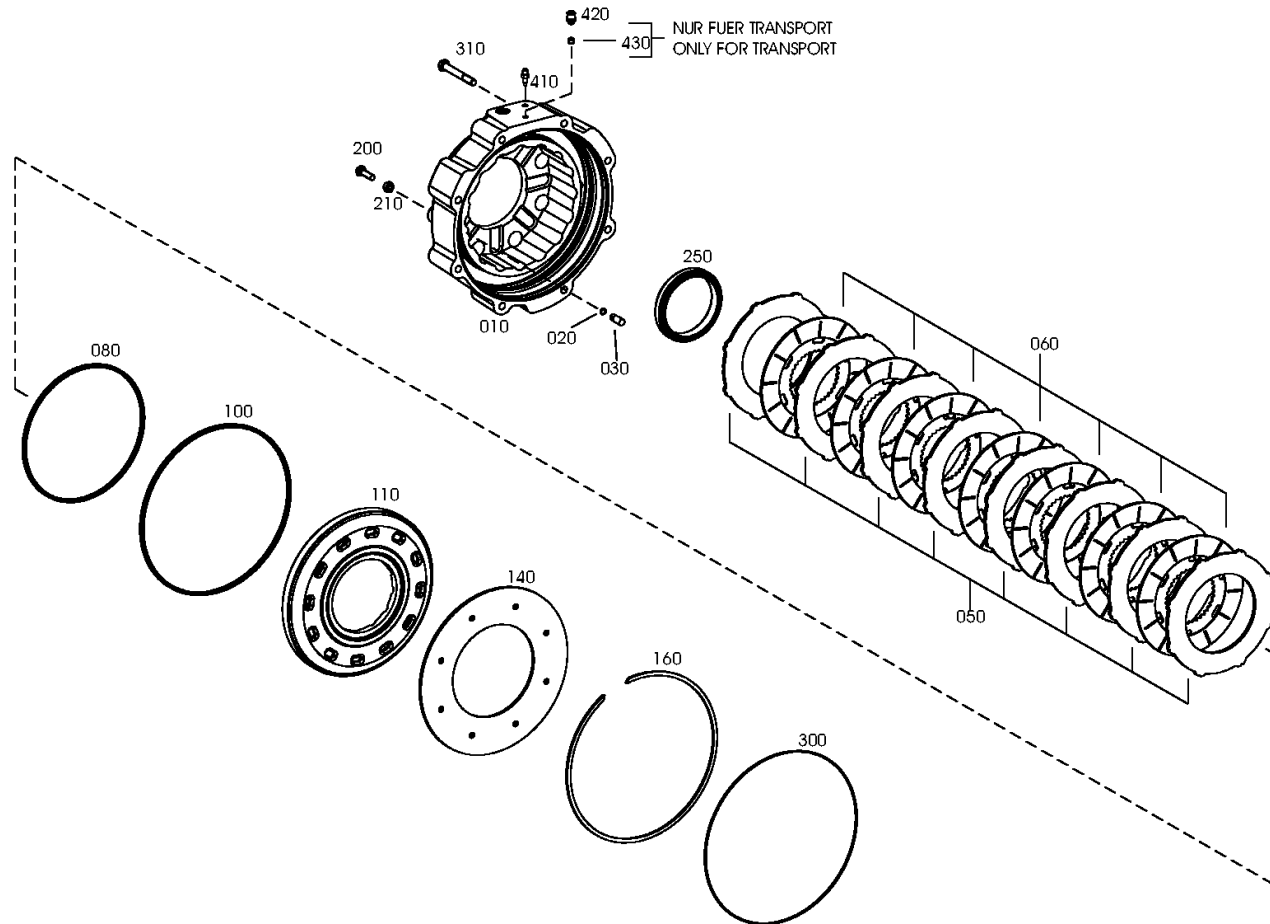
Material number: 4469.022.004

Plant: 446912100200

Material-assembly-group-no: 4469.121.002



MT-G 3090 /  
MULTIDISK BRAKE



# Plant

Page 1 from 1

Material number: 4469.022.004

Plant: 448129800500

Material-assembly-group-no: 4481.298.005



MT-G 3090 /  
CONVERSION KIT

